

4

3

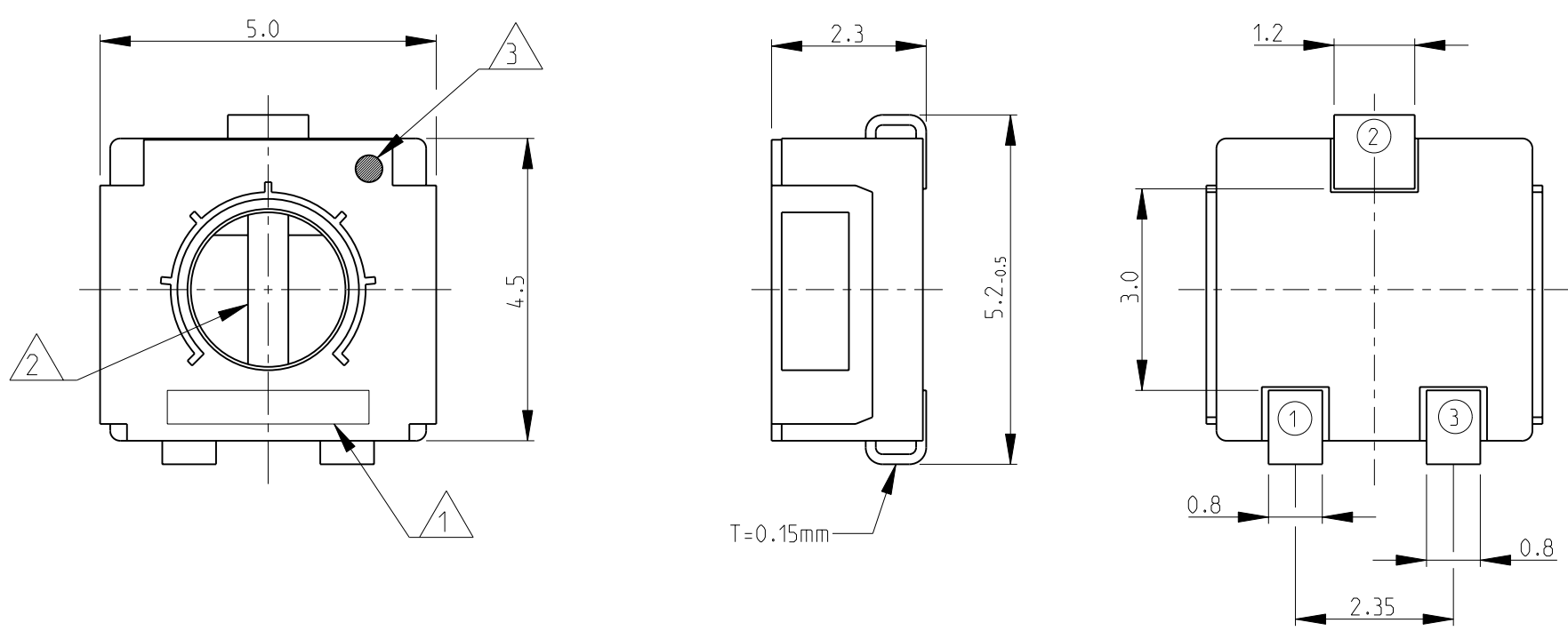
2

1

THIS DRAWING IS UNPUBLISHED. RELEASED FOR PUBLICATION 2008
 © COPYRIGHT 2008 BY TYCO ELECTRONICS CORPORATION. ALL RIGHTS RESERVED.

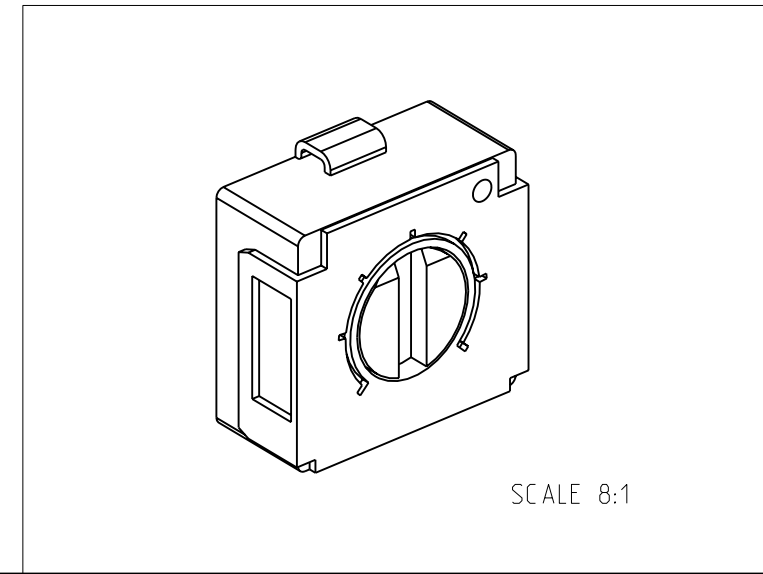
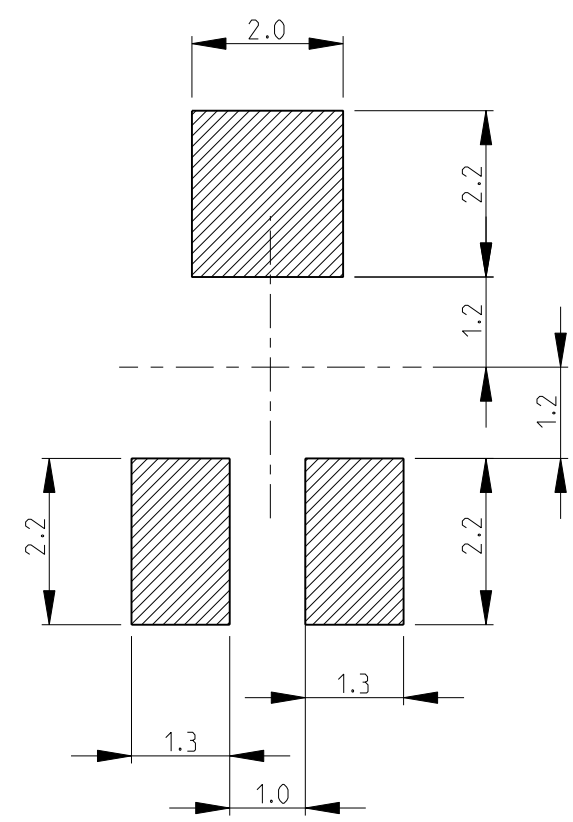
LOC	DIST	REVISIONS			
P	LTR	DESCRIPTION	DATE	DWN	APVD
E	B	BA	NEW RELEASE	13-NOV-08	SM St.P

- ① DATE/RESISTANCE CODE
- ② DRIVER SLOT. WIDTH- 0.6mm, LENGTH- 2.3mm, DEPTH- 0.5mm
- ③ LEAD-FREE IDENTIFICATION MARK
- 4 FOR FURTHER INFORMATION SEE DATA SHEET FOR 3204 SERIES-SMD TRIMMERS



RoHS Compliant

RECOMMENDED LAND PATTERN



THIS DRAWING IS A CONTROLLED DOCUMENT FOR TYCO ELECTRONICS CORPORATION IT IS SUBJECT TO CHANGE AND THE CONTROLLING ENGINEERING ORGANIZATION SHOULD BE CONTACTED FOR THE LATEST REVISION.		DWN	SUBHASH.M	13-NOV-08	Tyco Electronics Corporation Dorcan, Swindon, SN3 5HH	
DIMENSIONS: mm		CHK	PRAKASH.S	13-NOV-08	NAME	
TOLERANCES UNLESS OTHERWISE SPECIFIED:		APVD	STEPHEN.P	13-NOV-08	SMD ECONOMY TRIMMERS SERIES 3204	
0 PLC ±0.2		PRODUCT SPEC	-			
1 PLC ±0.1		APPLICATION SPEC	-			
2 PLC ±-		WEIGHT	0.11g	SIZE	A3	RESTRICTED TO
3 PLC ±-		CUSTOMER DRAWING		CAGE CODE	00779	-
4 PLC ±-		SCALE		DRAWING NO	1623909	-
ANGLES ±5°		SCALE		SHEET	1 OF 1	REV
FINISH -		SCALE		SHEET	1 OF 1	BA